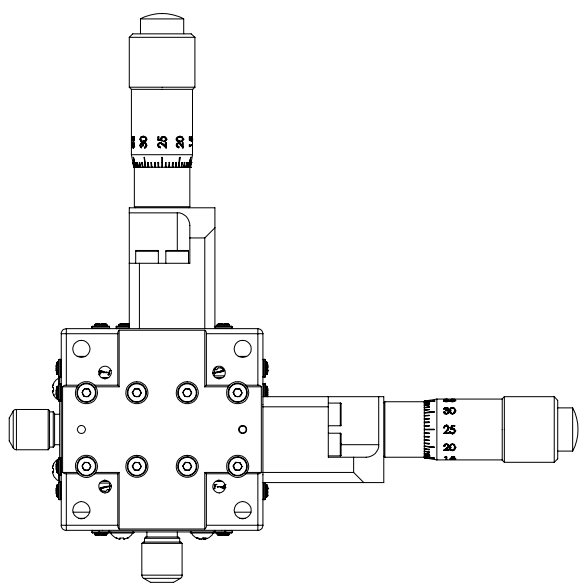
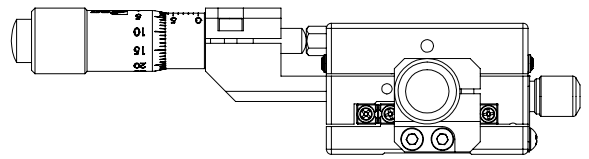
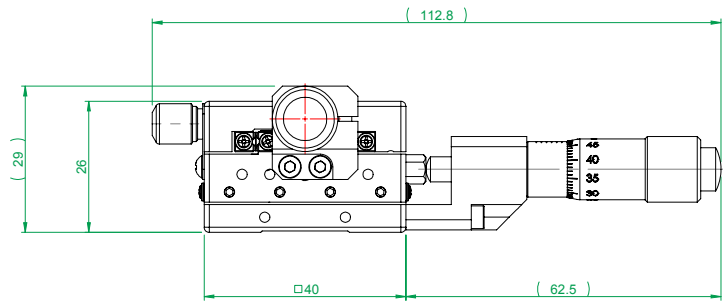


MX(Y)L40-A series  
bottom plate  
mounting holes



|       |  |
|-------|--|
| Model | MYL40-AC                                     |
|       | Low-profile Aluminum<br>XY Translation Stage |


[www.laserand.com](http://www.laserand.com)  
 TEL: 514 452-4693  
 sales@laserand.com

Scale 1:1.5 W: 232.64g

