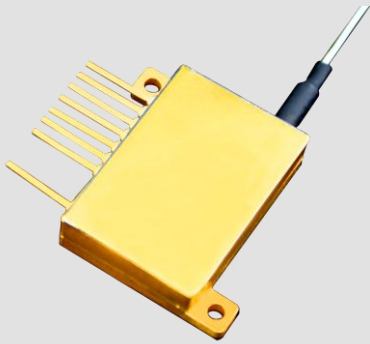


Fiber Coupled Multiple Single Emitter FCMSE56 Series (CW)



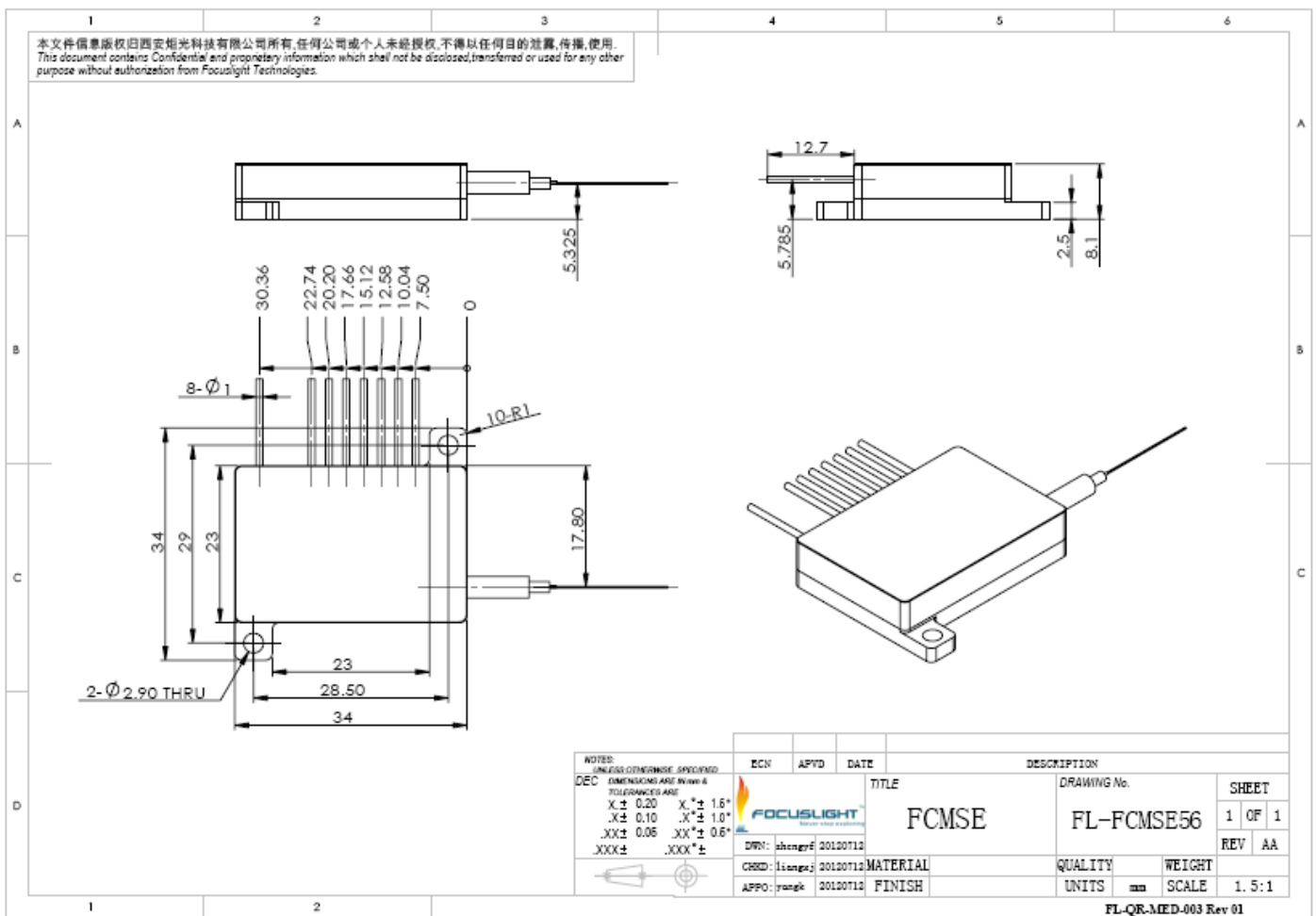
Features

- High power
- Aiming beam /monitor photodiode/ thermistor

Applications

- Medical
- Scientific research
- Pumping

Device Dimension (mm)



This structure drawing is only for reference. For any other special requirement, please feel free to contact us.

Fiber Coupled Multiple Single Emitter FCMSE56 Series (CW)

Specification

Module Type ¹	Units	FL-FCMSE56-12-808	FL-FCMSE56-16-915	FL-FCMSE56-16-940	FL-FCMSE56-16-976
Optical^{3,6}					
Center Wavelength λ	nm	808	915	940	976
Wavelength Tolerance	nm	± 5	± 5	± 5	± 5
Output Power ²	W	12	16	16	16
Spectral Width FWHM	nm	≤ 4	≤ 5	≤ 5	≤ 5
Wavelength Temp. Coeff	nm/C	~ 0.28	~ 0.32	~ 0.33	~ 0.34
Fiber Parameters					
Fiber Numerical Aperture	NA	0.22	0.22	0.22	0.22
Fiber Core Diameter	μm	200	200	200	200
Connector Type	-	SMA905 or FC	SMA905 or FC	SMA905 or FC	SMA905 or FC
Fiber length ⁵	m	1.5	1.5	1.5	1.5
Electrical Parameters^{3,6}					
Operating Current I_{op}	A	≤ 8.5	≤ 9.5	≤ 9.5	≤ 9.5
Threshold Current I_{th}	A	≤ 1.8	≤ 0.7	≤ 0.7	≤ 0.7
Operating Voltage V_{op}	V	≤ 4	≤ 4	≤ 4	≤ 4
Slope Efficiency	W/A	≥ 1.5	≥ 1.5	≥ 1.5	≥ 1.5
Power Conversion Efficiency	%	≥ 38	≥ 45	≥ 45	≥ 45
PD parameters	mA	0-3	0-3	0-3	0-3
Thermistor Parameters	(K Ω)/ β (25C)	10 \pm 0.5%/3862	10 \pm 0.5%/3862	10 \pm 0.5%/3862	10 \pm 0.5%/3862
Red Aiming Beam Paramete	mA	<35@2mW 650nm	<35@2mW 650nm	<35@2mW 650nm	<35@2mW 650nm
Thermal Parameters					
Operating Temperature	$^{\circ}\text{C}$	15~30	15~30	15~30	15~30
Storage Temperature ⁴	$^{\circ}\text{C}$	-20~80	-20~80	-20~80	-20~80
Recommended Heatsink Capacity	W	≥ 40	≥ 40	≥ 40	≥ 40

¹Explanation for the name of Module Type: FL(abbreviation of Focuslight) –FCMSE56 (structure code) -10(output power) -915(center wavelength)

²Reduced lifetime if used above nominal operating conditions.

³Data at 25 $^{\circ}\text{C}$ temperature, unless otherwise stated.

⁴A non-condensing environment is required for storage and operation below ambient dew point.

⁵Fiber length can be specified by customer. 0.9mm PBTP is available for standard products.

⁶If there are any other requirements, please contact us.



Focuslight Technologies Co., Ltd.

Distributed by:
 LASERAND, Inc
 Montreal, QC, Canada
 Tel: 514 452-4693
 Email: sales@laserand.com
 Website: www.laserand.com

Copyright ©2009 Focuslight. All rights reserved.

